

UNIVERSAL/MULTIFLEX

INTERNATIONAL

Factory Parts Catalog

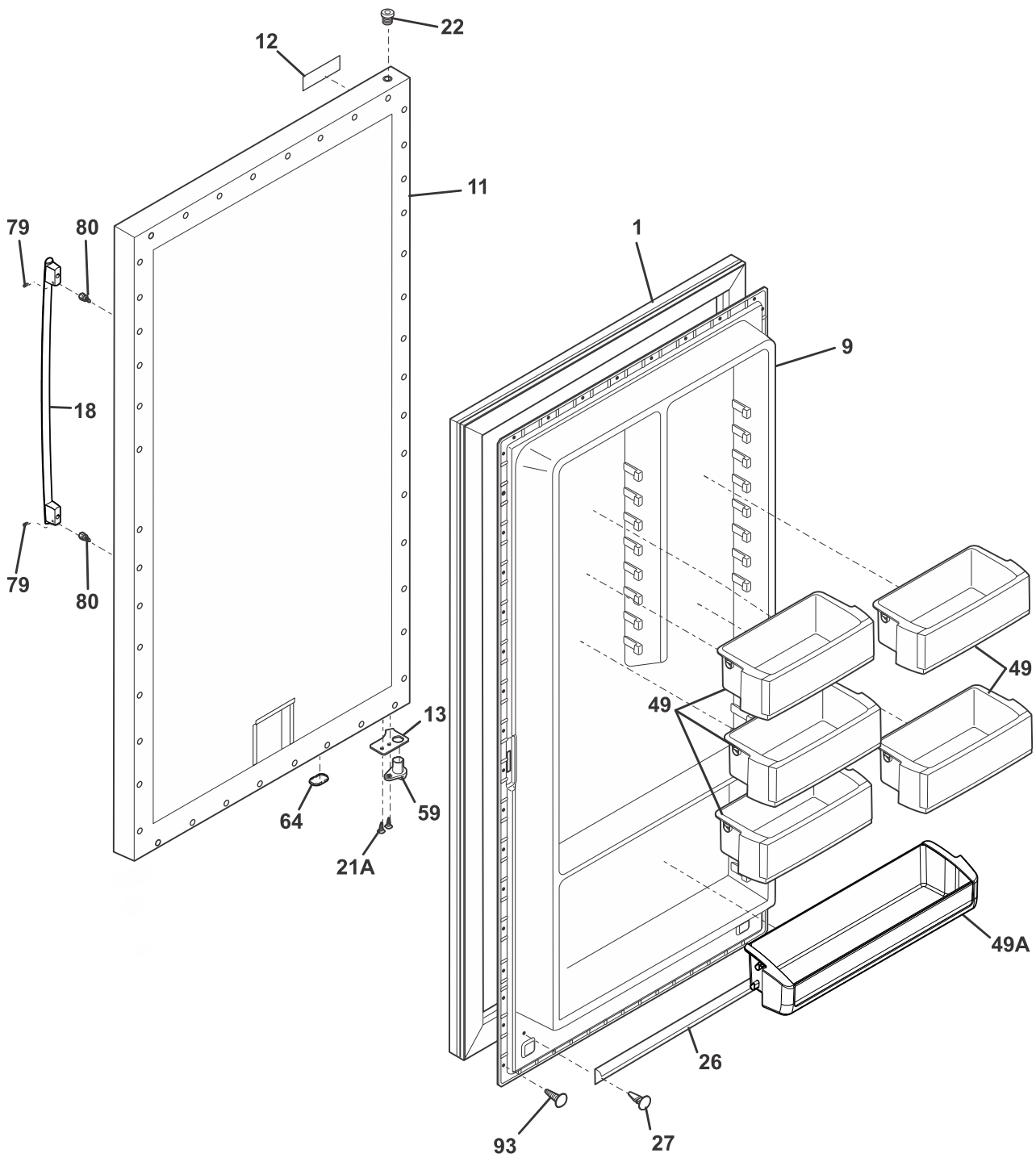
Product No.	MUFD19V9QSD
Series	134A
Color	grey
Volts	230V
Wiring Diagram	297392801
Owner's Guide	297409200
Market	International

UPRIGHT FREEZER

Model No.
MUFD19V9QS

Publication No.
5995705919
18/07/30
(EN/SERVICE/)
365

DOOR

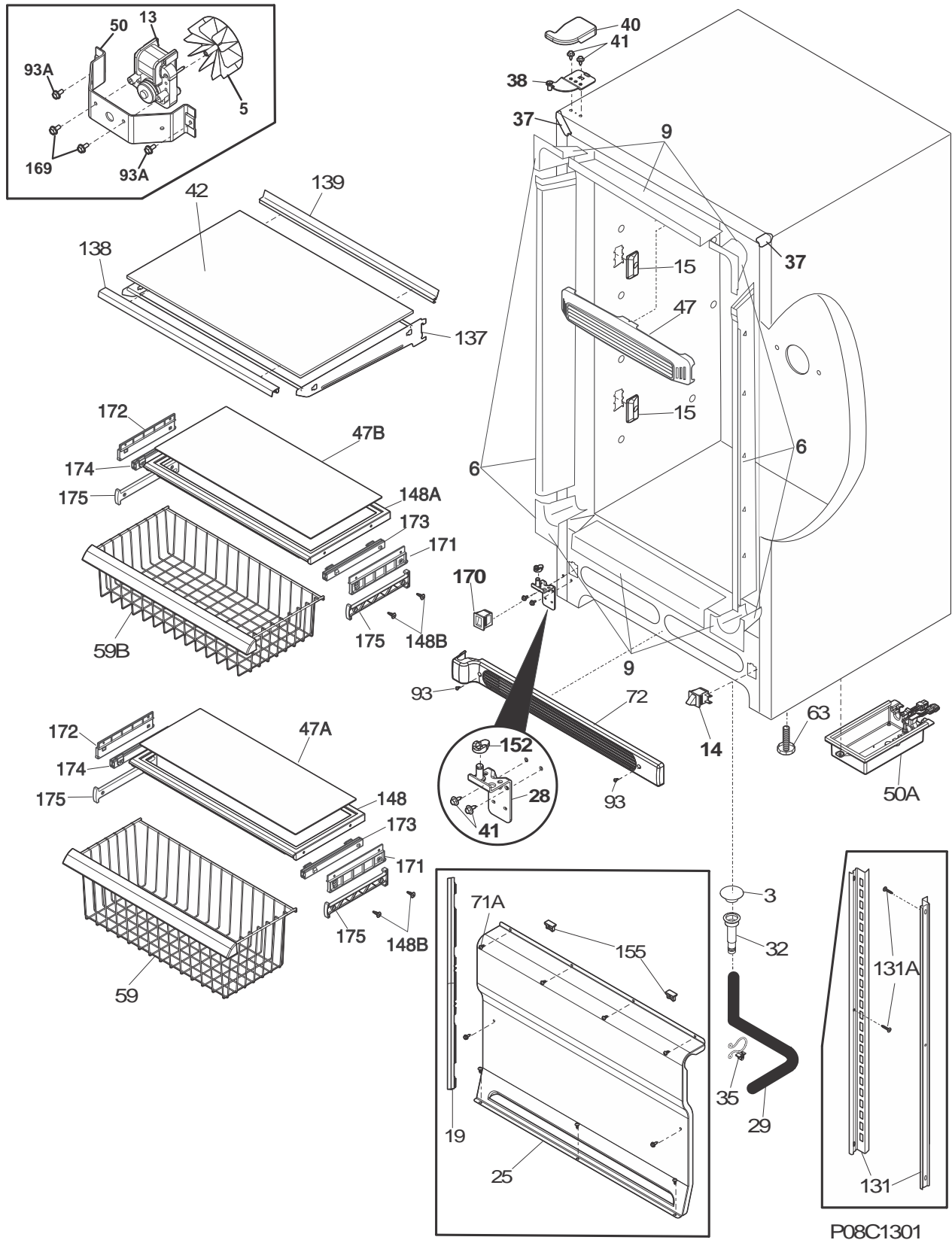


P08D0717

DOOR

POS. NO	PART NO.	DESCRIPTION
1	5304505782	Gasket
9	297280800	Panel-inner door, frzr
11	297353509	Panel-outer door, stainless
12	137095501	Anchor, nameplate
13	297302801	Door Stop, LH
18	297330300	Handle Assembly, stainless, w/endcaps
18*	241701901	Screw Driver
*	240537301	Nut-anchor, door hdl screw
18*	297175300	Wrench, allen
21A	297197500	Screw, door stop mtg, FH38-16X.750, P Twin
22	216970801	Bearing, hinge, gray, top
26	216524201	Gasket, secondary
27	5303212828	Clip, panel mtg
27*	5304406520	Clip, panel mtg kit, (40)
49	297295300	Bin-door, 2-liter
49A	297295400	Bin-door, gallon, (2)
59	297302900	Bearing, door stop
64	216403701	Plug-button, hole filler, door base
79	218755401	Screw-set, 10-32 x 0.375
80	218755504	Screw, shoulder, #10-AB, handle mounting
93	5304460605	Screw, ph truss head, 8-18AB x 0.500
*	297355300	Label, quick start
*	216858001	Screw, 8-18x.50 AB, #10
*	216905301	Screw, PH 3-24X.25, electronic assy
*	297048000	Screw, anchor, #8, white
*	297410600	Screw, 8-18 X .500

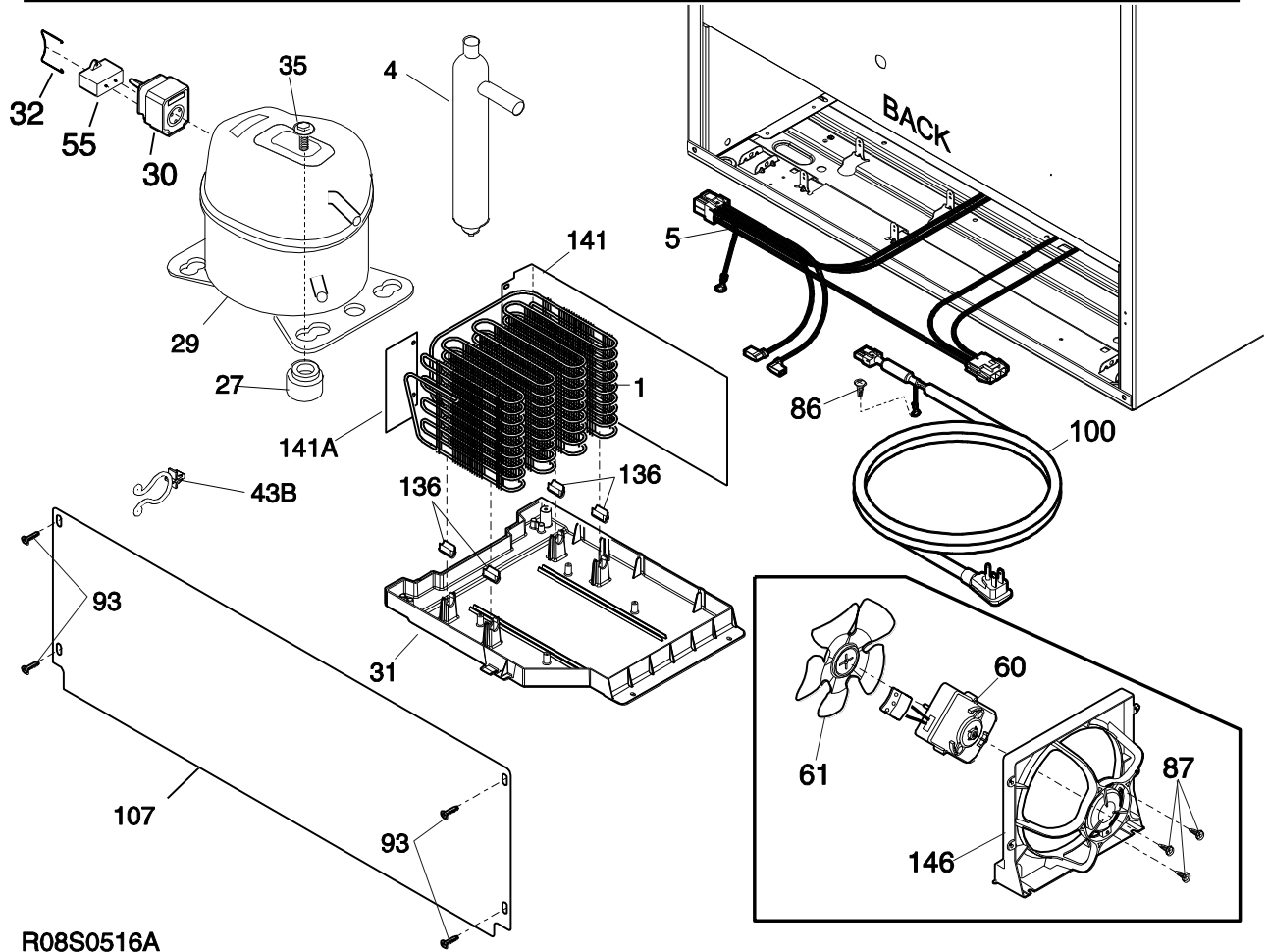
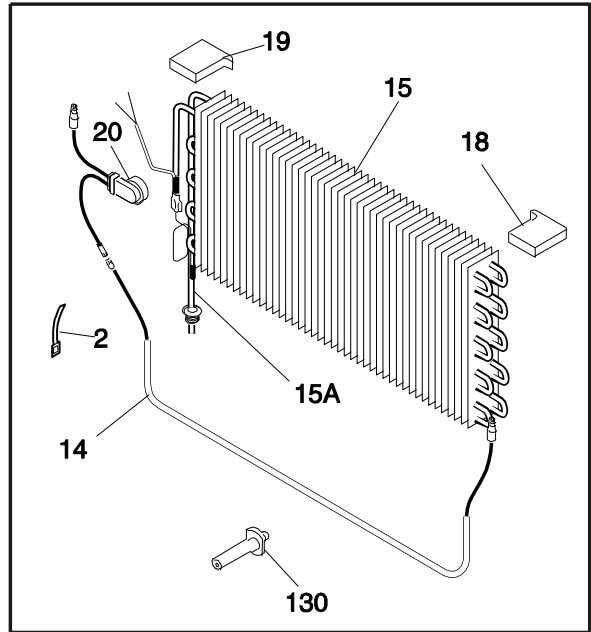
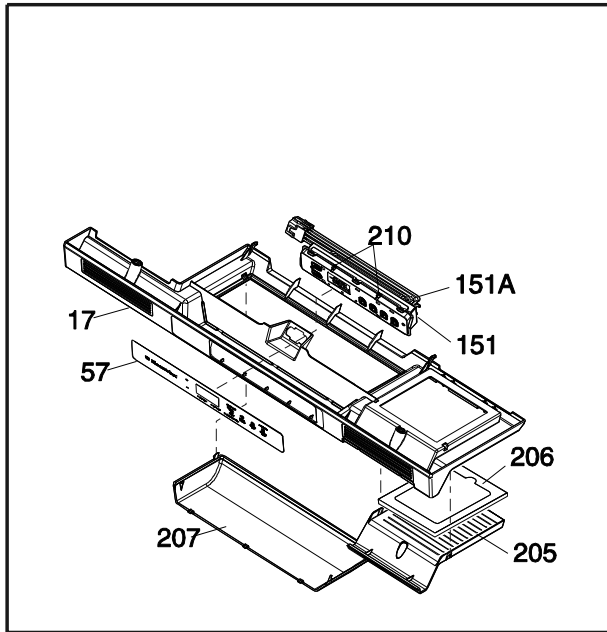
CABINET



CABINET

POS. NO	PART NO.	DESCRIPTION
3	216503100	Screen-drain
5	5304513294	Fan, propeller
6	297200900	Breaker Kit w/corners
9	297200100	Breaker Kit w/corners, 32", top and bottom
13 #	297250010	Motor-fan, 230V
14	216822901	Switch, light/lamp, ramp
15 #	241891105	Light-LED
19	216204902	Gasket-evap cover
25	297099255	Cover-evaporator
28	297302513	Hinge-lower, LH w/bearing
29 #	5304510353	Hose, drain, 17.8 inch
30	297215701	Breaker, corners
32	5308005500	Drain
35	216273000	Clip, wire retainer
37	297273906	Trim-cabinet corner, gray
38	297303901	Hinge-upper, LH
40	297304001	Cover-hinge, gray, LH
41	297236250	Screw, hex head, 1/4-20x5/8, hinge
42	297265900	Glass-shelf
47	297192903	Baffle, air
47A	297102705	Glass, crisper cover
47B	297102704	Glass, crisper cover
50	216394050	Bracket, fan motor mount
50A#	241891608	Board-LED power
59	297270000	Basket, assy bottom
59B	297269700	Basket, assy-mid level
63	216396900	Screw, leveling foot, plastic, adjustable
63*	297164650	Bracket, LH leg levelor
63*	297164651	Bracket, RH leg levelor
71A	297146820	Screw, 8-18AB x.470 QX
93	297410600	Screw, 8-18 X .500
93A	297174300	Screw, self pierce, #8, 18x.63
131	297130200	Channel-shelf mtg, side, (2)
131A	297146821	Screw, th, 8-18x.470 AB QX, white, (6)
137	297050600	Frame-shelf, cantilever, (2)
138	297261400	Trim-shelf, front
139	297261500	Trim-shelf, rear
148	297271703	Frame, crisper-cover, btm
148A	297271704	Frame, crisper, mid-level
148B	297142600	Screw, blunt, 8-32 x 5/8
152	297302700	Bearing-hinge
155	5303313703	Clip, wire
169	216912401	Screw, hex washer head, 8-32 x 0.500, bracket fan mtr, (2)
170	297280403	Valve, breather
171	297092700	Bracket, crisper cover, RH
172	297092701	Bracket, crisper cover, LH
173	297291200	Slide-basket, RH, w/clips
174	297291201	Slide-basket, LH, w/clips
175	297099500	Support, crisper
*	297001704	Insulation, 24", suction line
*	216036601	Screw, RWHD, 8-32A x 0.500, GX-CA
*	216337701	Screw, HWH, 10-24 x 0.500, Swage
*	216858001	Screw, 8-18x.50 AB, #10

SYSTEM



R08S0516A

SYSTEM

POS. NO	PART NO.	DESCRIPTION
1 #	5300083897	Condenser
2	5308000110	Strap-evap/heater, aluminum, (2)
4 #	297396820	Filter-dryer
5 #	297325503	Harness-wiring, main
14 #	216730701	Heater-defrost
15 #	297414900	Evaporator
15A	297217900	Heat Exchanger, suct/cap tube
17	297269000	Box-control
18	297078701	Insulator-evap, styrofoam, RH
19	297078801	Insulator-evap, styrofoam, LH
20	297216600	Thermostat, defrost
27	5308002681	Grommet, compressor
29	297002801	Compressor, kit, w/grommets, & welded clip
30 #	297259526	Controller, compressor
31	297165800	Pan-drain
32	297359700	Clip, controller
34	5304511843	Sleeve
35	297368500	Bolt, compressor
43B	297315800	Clip, wire
55	216985004	Capacitor, run, 5MF
57	297269404	Overlay
60 #	297279550	Motor-condenser fan
61	241639501	Blade-condenser fan
86	216036601	Screw, RWHD, 8-32A x 0.500, GX-CA
87	5304463290	Screw, hi-lo blunt, #8-18X1/2
93	216858001	Screw, 8-18x.50 AB, #10
100#	297075901	Cord-power, 220V
107	297194802	Panel, access
130	297244700	Support, evaporator mtg
136	240405201	Grommet, rubber, black, cond tube/wire
141	297164200	Divider, air flow
141A	297194700	Divider, small, air flow
146	297164000	Shroud-fan orifice
146*	216337701	Screw, HWH, 10-24 x 0.500, Swage
151#	297326507	Electronic Control, assembly
151A	5304495183	Harness-jumper
205	297294301	Holder, air filter
206	242047801	Filter, air
207	297294501	Shield-light, white
210	216905301	Screw, PH 3-24X.25, electronic assy
*	297110400	Thermistor
*	216737600	Tape, foil
*	240555002	Screw-#8-32 X 3/8
*	297174300	Screw, self pierce, #8, 18x.63